

PERSPECTIVE VIEW
 SCALE: NTS

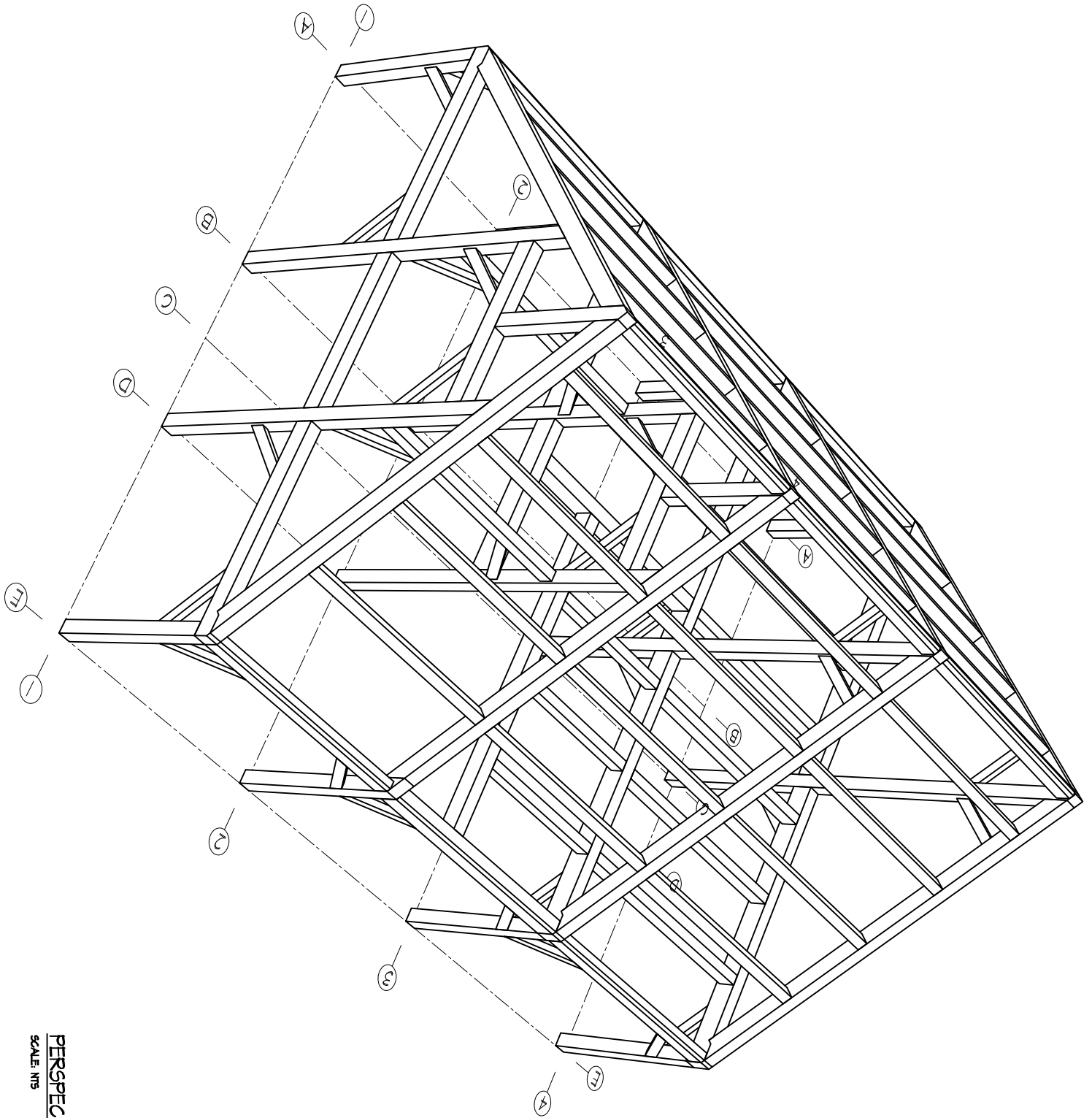
07 APR 2014

RESIDENCE FOR:
HOSTETLER

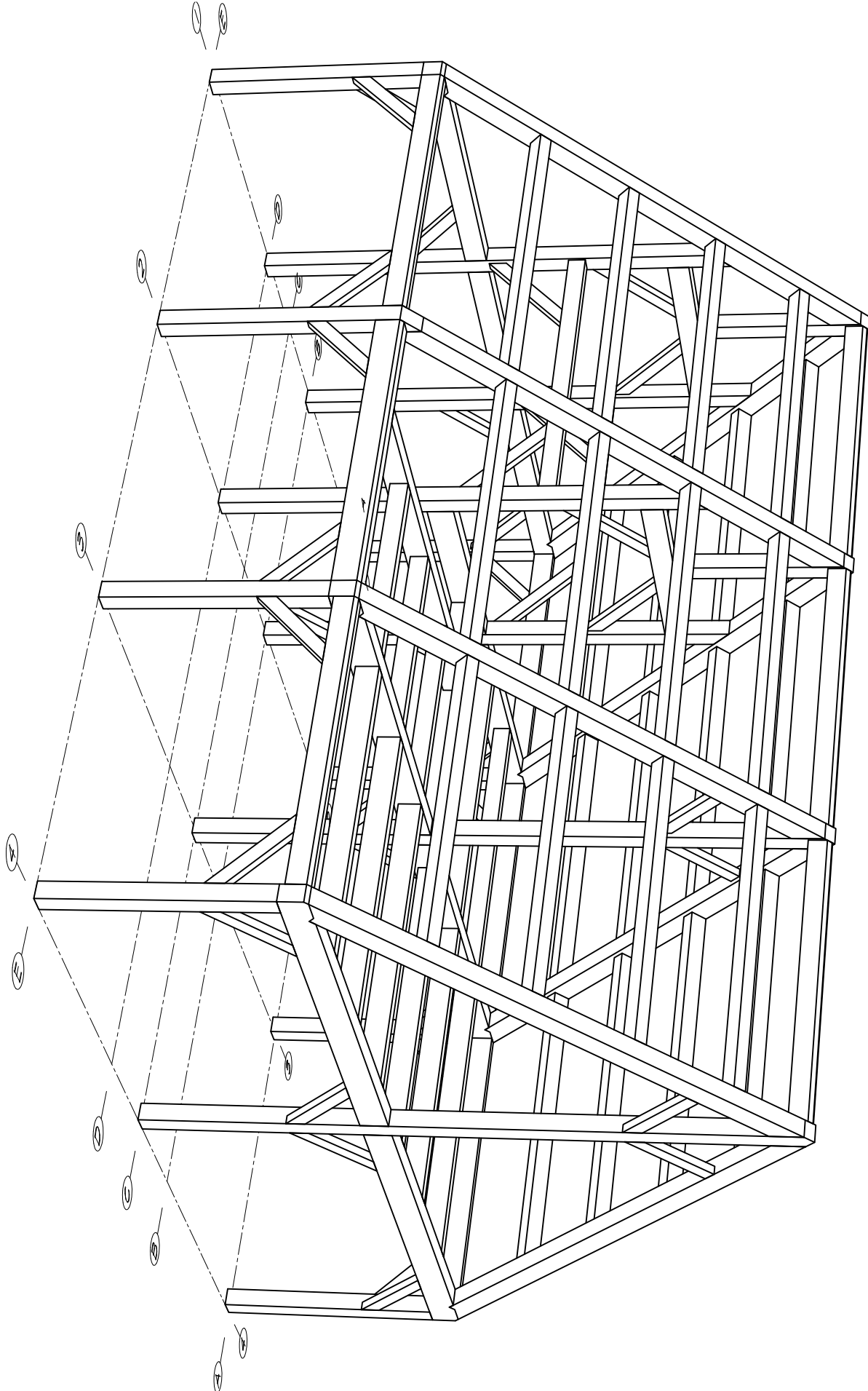
TIMBERFRAME DESIGN FOR:
ALASKA TIMBERFRAME
 PO BOX 15151, FRITZ CREEK, AK 99603
 (907) 235-3418 OFFICE (907) 235-2439 SHOP (907) 235-2462 F:



drawings prepared by:
bear design
 po box 550 port Townsend, wa 98150-0550
 ph (360) 752-4221 cell (360) 924-5424
 e-mail matt@bdesign.com © bd.2014



PERSPECTIVE VIEW
SCALE: NTS




PERSPECTIVE VIEW
 SCALE: NTS

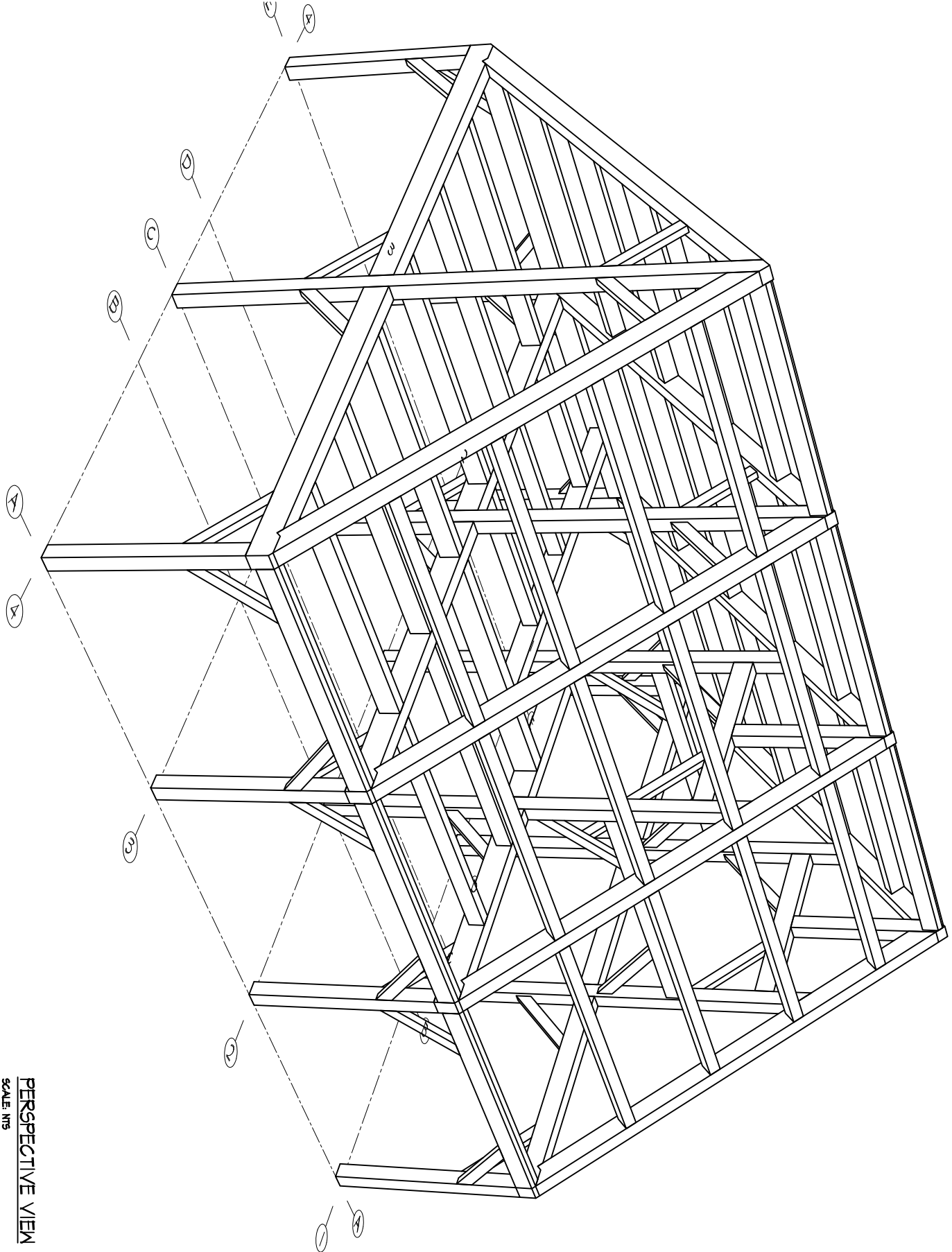
07 APR 2014
3

RESIDENCE FOR:
HOSTETLER

TIMBERFRAME DESIGN FOR:
ALASKA TIMBERFRAME
 PO BOX 15151, FRITZ CREEK, AK 99603
 (907) 235-3418 OFFICE (907) 235-2439 SHOP (907) 235-2462 F:



drawings prepared by:
bear design
 po box 350 port townsend, wa 98560-0350
 ph (360) 752-4221 cell (360) 524-5424
 e-mail matt@beyondpen.com © bd.2014



PERSPECTIVE VIEW
 SCALE: NTS

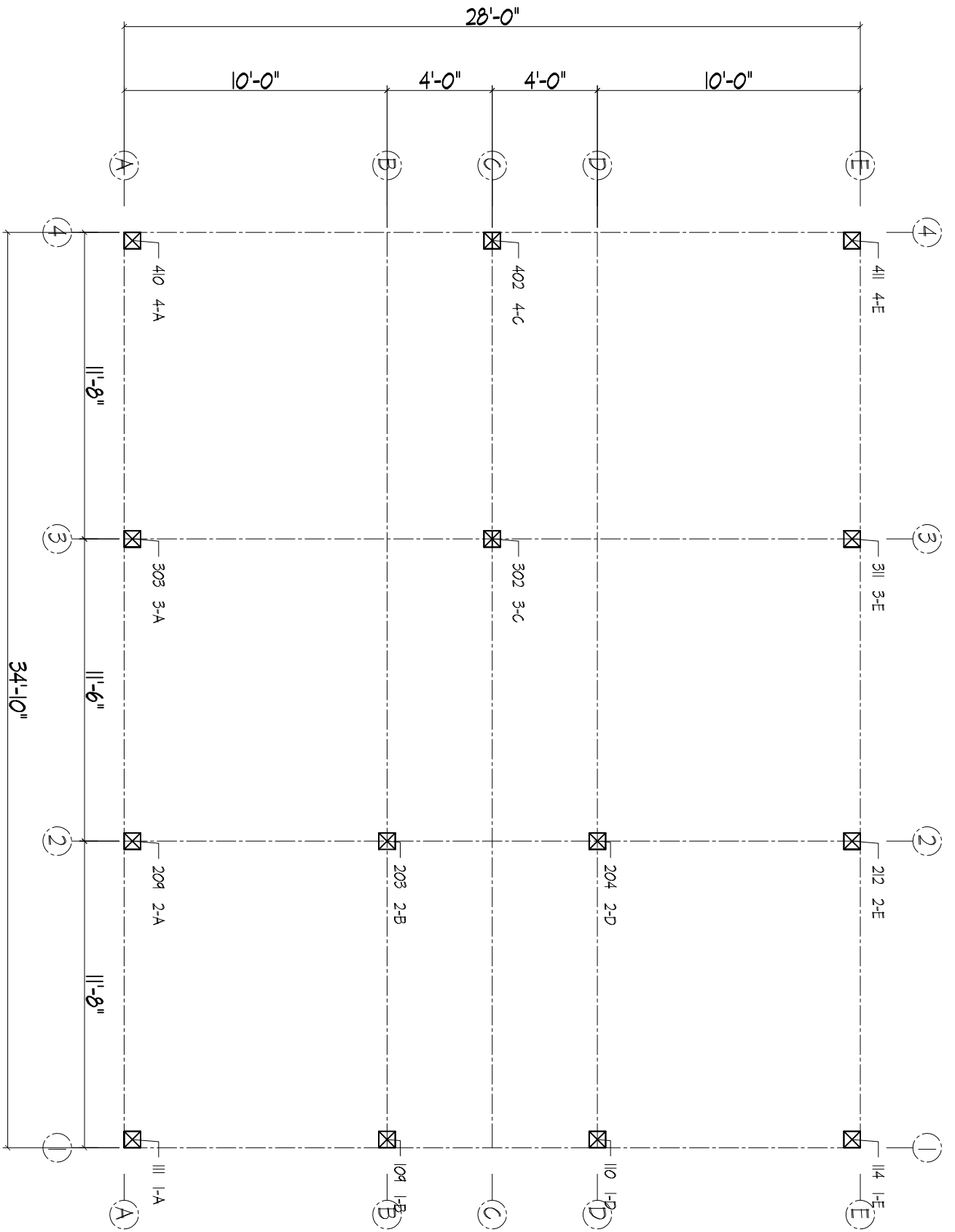
07 APR 2014
4

RESIDENCE FOR:
HOSTETLER

TIMBERFRAME DESIGN FOR:
ALASKA TIMBERFRAME
 PO BOX 15151, FRITZ CREEK, AK 99603
 (907) 235-3418 OFFICE (907) 235-2439 SHOP (907) 235-2462 F:



drawings prepared by:
bear design
 po box 550 port Townsend, wa 98150-0550
 ph (360) 752-4221 cell (360) 824-5424
 e-mail matt@bear design.com © bd.2014



POST LAYOUT PLAN
SCALE: 3/32"=1'-0"